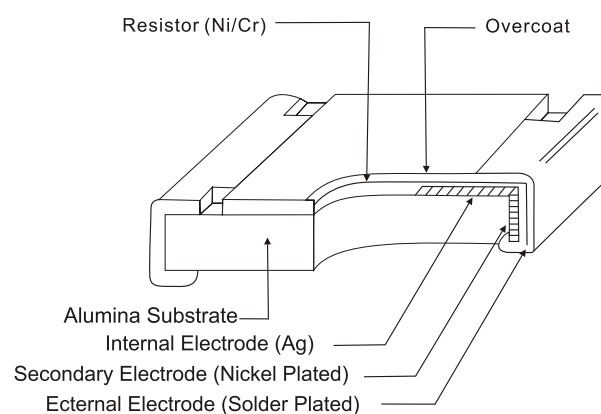
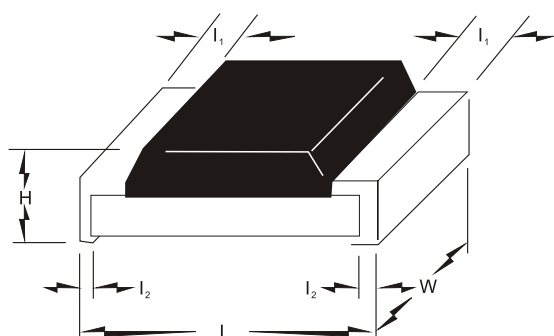


## Thin Film Chip Resistor (RT S eries)

### Dimensions & Structure

#### FEATURES

High stability  
 Low TCR  
 High accuracy (+0.1%+0.5%)  
 RoHS Compliance



### Part Number

<b>RT05</b> Size Code RT03=0603 RT05=0805 RT06=1206	<b>B</b> Tolerance B=±0.1% D=±0.5%	<b>1001</b> Resistance 4-digit code	<b>G</b> Green Product RoHS Complied
---	---	---	--

Style	L	W	H	I <sub>1</sub>	I <sub>2</sub>
RT03	1.60±0.10	0.80±0.10	0.45±0.10	0.30±0.20	0.30±0.20
RT05	2.00±0.15	1.20±0.10	0.50±0.10	0.40±0.20	0.40±0.20
RT06	3.20±0.20	1.60±0.15	0.55±0.05	0.50±0.25	0.50±0.25

unit:mm

## ELECTRICAL CHARACTERISTICS

Style	RT03	RT05	RT06
Power Rating at 70°C	1/16W	1/10W	1/8W
Operating Temp.Range	-55°C to ±125°C		
Derated to Zero Load at	±125°C		
Maximum Working Voltage	50V	100V	150V
Maximum Overload Voltage	100V	200V	300V
Resistance Range E-24 only, E-96 on request ±0.1% RT03: 100Ω ~ 33kΩ, ±25ppm/°C only ±0.1% RT05: 100Ω ~ 100kΩ, ±25ppm/°C only ±0.1% RT06: 100Ω ~ 100kΩ, ±25ppm/°C only	For ±0.5% 10~91Ω: ±50ppm/°C (by Request) 100~1MΩ: ±50ppm	For ±0.5% 10~91Ω: ±50ppm/°C (by Request) 100~1.21MΩ: ±50ppm/°C	For ±0.5% 10~2.74Ω: ±50ppm/°C
Temperature Coefficient	±25 ~ 100ppm/°C		
Resistance Tolerance	±0.1%, ±0.5%		

\*0402 size is under development, please check G.G for further information.

## ENVIRONMENTAL CHARACTERISTICS

PERFORMANCE TEST	TEST METHOD	APPRAISE
Temperature Coefficient	MIL-STD-202F, Method 304 -55°C to +125°C	by Type
Thermal Shock	MIL-STD-202F, Method 107 5 cycles, -55°C to +125°C	±(0.5%+0.05Ω)
Low Temperature Operation	MIL-R-55342D, Para.4.7.4 One hour at -55°C follow by 45 minutes RCWV	±(0.5%+0.05Ω)
Short Time Overload	MIL-R-55342D, Para.4.7.5 2.5 times RCWV for 5 seconds	±(0.5%+0.05Ω)
High Temperature Exposure	MIL-R-55342D, Para.4.7.6 125°C for 100 hours	±(0.5%+0.05Ω)
Resistance to Soldering Heat	MIL-R-55342D, Para.4.7.7 Soldered to test board at 260°C for 10 seconds	±(0.5%+0.05Ω)
Moisture Resistance	MIL-STD-202F, Method 106 10 cycles. Total 240 hours	±(0.5%+0.05Ω)
Life	MIL-STD-202F, Method 108A 1000 hours at 70°C RCWV intermittent	±(0.5%+0.05Ω)
Solderability	MIL-STD-202F, Method 208 230°C for 5 seconds	95%min. coverage
Bending Strength	JIS-C-5202, Para.6.1.4 Unit mounted in center of 90mm board length, deflected 5mm in either direction for 10 seconds	±(0.5%+0.05Ω)